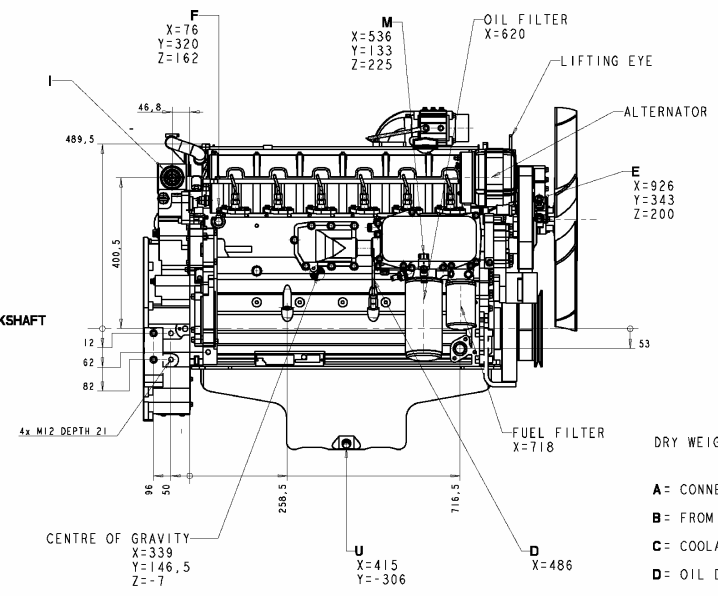
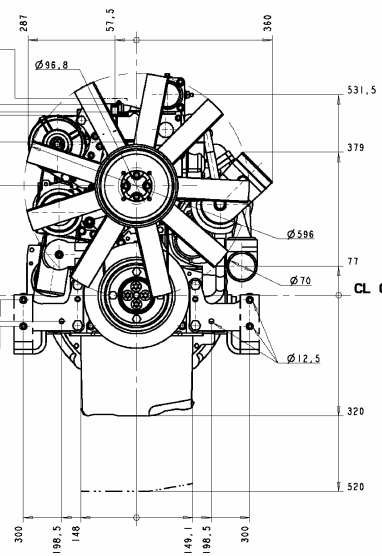


LIFTING EYE
 USE LIFTING TACKLE

DEMOUNTING SPACE 521,5

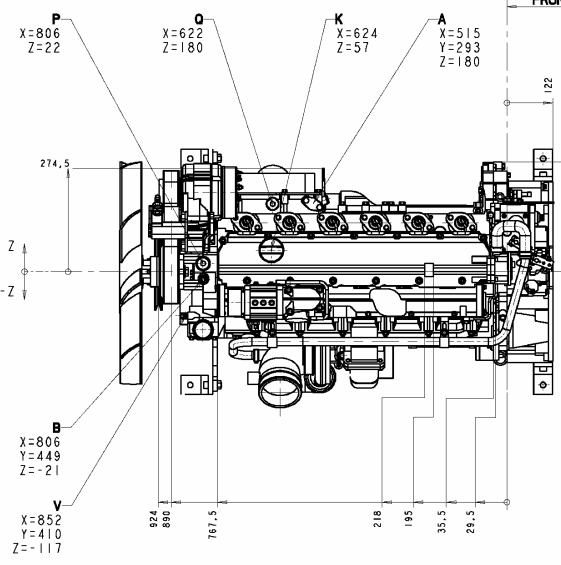
STARTER MOTOR
 X=269
 Y=146

FRONT END FLYWHEEL HOUSING



DRY WEIGHT APPROX. 570 kg

- A= CONNECTION TO ENGINE HEATER (OPTION)
- B= FROM EXPANSION TANK Ø=22mm
- C= COOLANT DRAIN, M14x1,5
- D= OIL DIPSTICK
- E= FUEL INLET, FOR HOSE INTERNAL Ø=12mm
- F= FUEL RETURN AND VENT SCREW, FOR HOSE INTERNAL Ø=10mm
- G= EXHAUST OUTLET, TURBO INNER Ø=66mm
- H= TO CHARGE AIR COOLER
- I= CONNECTION ECU
- J= CONNECTION POWER RELAYS FOR HEATER FLANGE
- K= OIL FILLER CAP
- M= OIL PRESSURE SENDER
- N= AIR INTAKE FROM AIR COOLER, Ø=71mm
- O= WATER INLET, Ø=50mm
- P= RETURN FROM HEAT EXCHANGER, M26x1,5
- Q= SUPPLY TO HEAT EXCHANGER, M26x1,5
- S= WATER OUTLET, Ø=50mm
- T= AIR INTAKE TO TURBO COMPRESSOR (ADJUSTABLE)
- U= OIL DRAIN PLUG M18x1,5 (BOTH SIDES)
- V= AIR VENT HOSE Ø=6mm AND Ø=10mm



MOUNTING FACE FOR REAR ENGINE BRACKET

