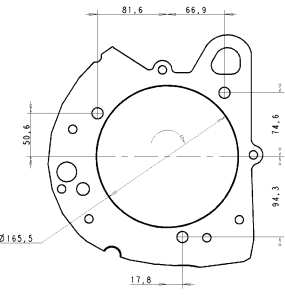
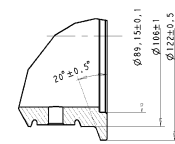


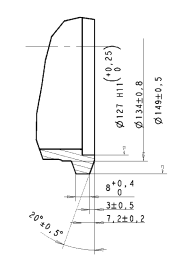
VIEW RR
AIR COMPRESSOR PTO
1:2



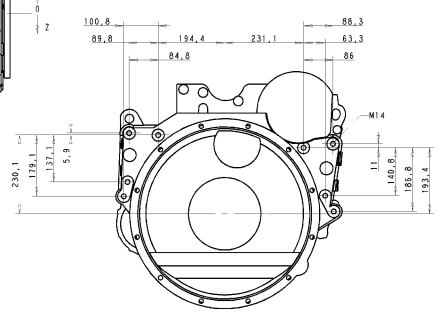
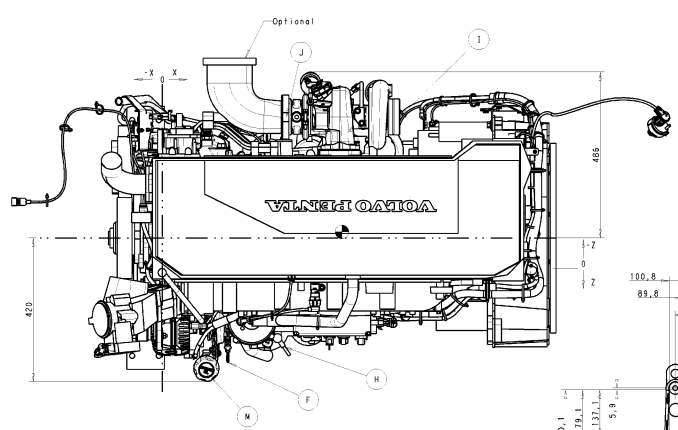
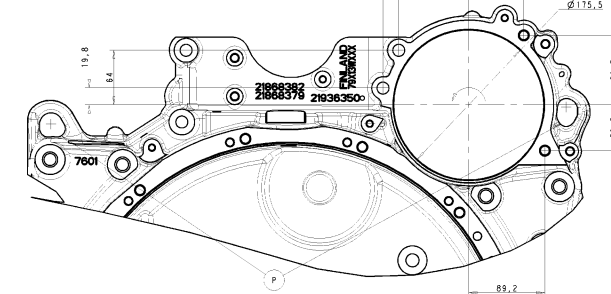
V-CLAMP (POS J)
INTERMEDIATE SECTION
1:1



V-CLAMP
EXHAUST FLANGE
1:1



VIEW LL
REAR PTO
1:2



POS	DESCRIPTION	X	Y	Z	NOTE
A	SENSOR AMBIENT TEMP	1465	799	-355	
B	SENSOR EXP TANK	-417	858	-106	
C	CHARGE AIR FROM CAC	-136	693	358	Ø88
D					
E	COOLANT DRAIN COOK	361	170	255	M22x1.5
F	OIL DIP STICK	192	-65	319	
G	FUEL INLET	355	273	204	Ø9.5
H	FUEL INLET OPTIONAL				3/8" NPSF
I	FUEL RETURN	355	8	318	Ø6.35
J	FUEL RETURN OPTIONAL				1/4" NPSF
K	AIR INTAKE	695	390	-354	Ø106
L	EXHAUST OUTLET	363	390	-354	V-CLAMP Ø122
M	COOLANT INLET	152	-135	-256	Ø60
N	COOLANT OUTLET	-149	550	-227	Ø60
O	OIL FILLER CAP	-129	84	386	
P	OIL PRESSURE SENSOR	74	380	-155	EMS
Q	COOLANT TEMP SENSOR	984	277.5	-325	EMS
R	LIFTING EYE	984	277.5	276.2	
S	FROM EXPANSION TANK	184	474	-376	Ø22
T	CHARGE AIR TO CAC	550	51	-474	Ø90
U	AIR FILTER INDICATOR				
V	OIL DRAIN PLUG	378	-420	-73	M24x1.5
W	OIL TEMP SENSOR	716	-156	180	EMS
X	CRANK CASE VENTILATION	208	-219	269	Ø32.5
Y	W OIL TO AIR COMPRESSION	892	297	138	M12x1.5
Z	X CONTROL UNIT	430	195	168	
AA	LIFTING EYE	-60	577	-60	
	AIR VENT Ø 9.5 TO BE CONNECTED TO EXP. TANK	76	521	-255	
	FOR VOLVO PENTA EXPANSION TANK				
	BB AUX REMOTE STOP DIAGNOSIS INTERFACE	519	383	290	
	CC AUX STOP	430	366	289	
	DD COOLANT OUTLET (eng heat 200W)	747	260	-143	F16-MH13.5
	EE COOLANT OUTLET (eng heat 200W refer)	131	44	-354	F16-MH13.5
	FF COOLANT OUTLET (UREA)	266	239	-170	F10-MH9.5
	GG COOLANT INLET (UREA retur)	208	-24	-347	F10-MH9.5
	HH COOLANT OUTLET (compressor)	-35	512	111	F16-MH13.5
	II COOLANT INLET (compressor)	42	247	-395	F16-MH13.5
	JJ COOLANT INLET (cob heat)	50	459	-368	F16-MH13.5
	TP CENTRE OF GRAVITY	526	526	-18	

SCALE 1:5

SMALLER RESOLUTIONS AND GENERAL DIMENSIONS ARE NOT TO SCALE

INSTALLATION DRAWING
D11 1ND STAGE 3A

REVISIONS

DATE: 22358058

101

1011