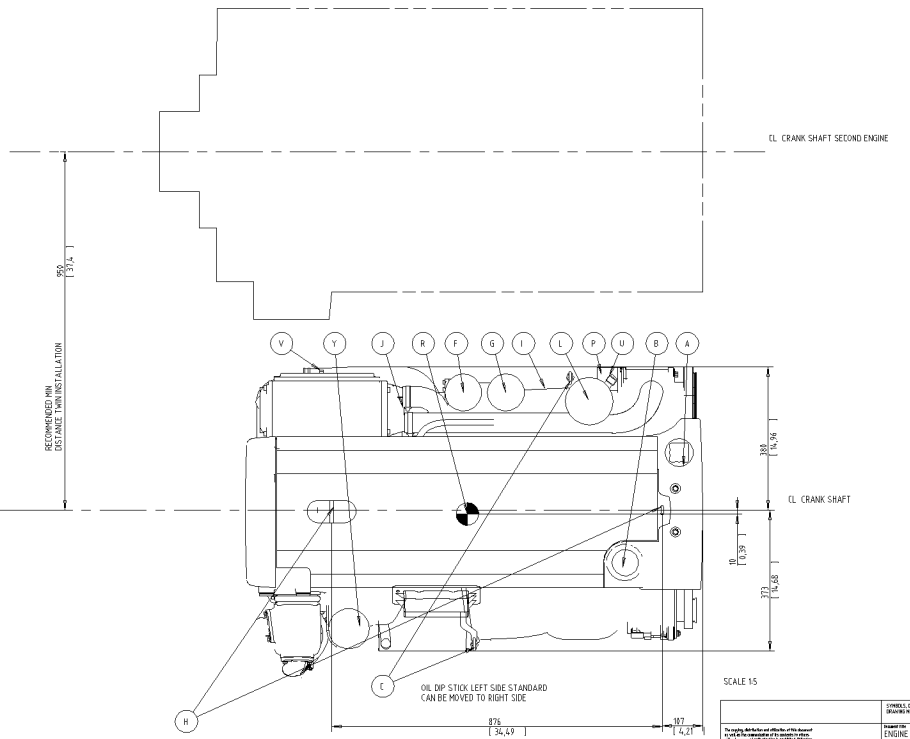
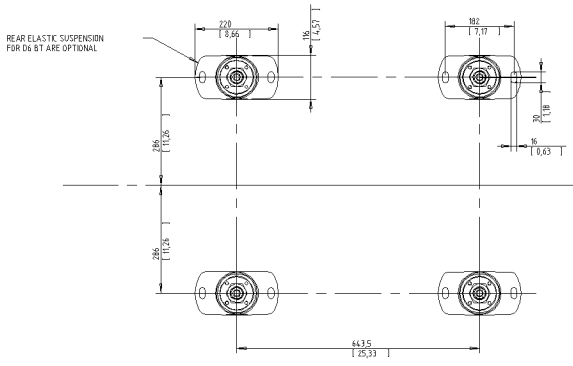
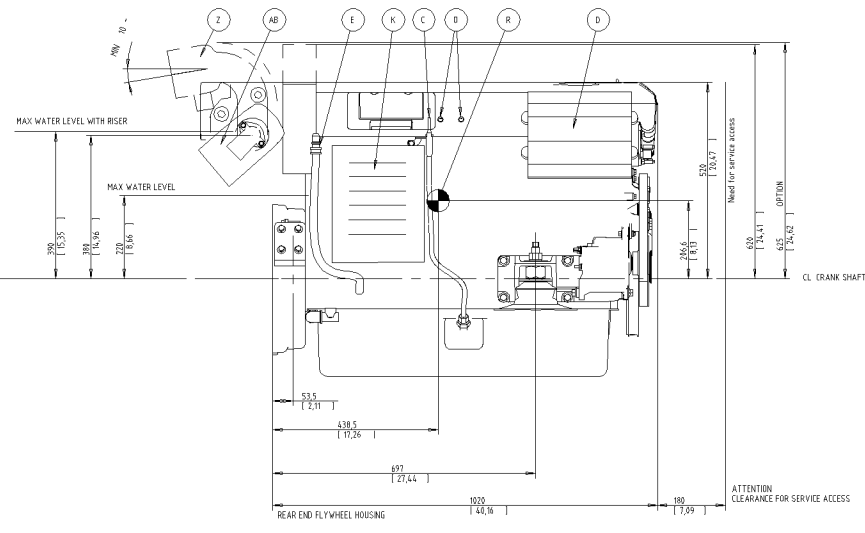
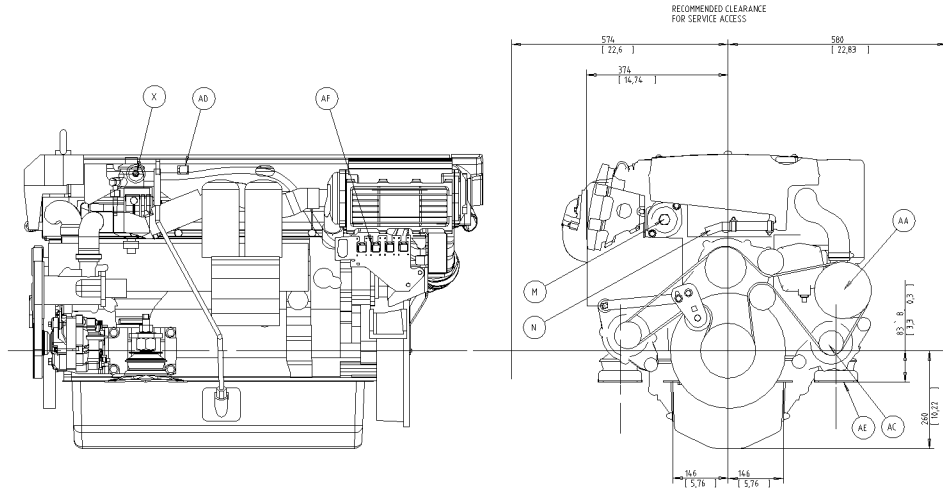


- A WATER FILLER CAP, FRESH WATER
- B OIL FILLER CAP, ENGINE
- C OIL DIP STICK, ENGINE LEFT OR RIGHT SIDE MOUNTED
- D ECU CONTROL UNIT
- E OIL DRAIN PIPE, ENGINE n 12.5
- F OIL FILTER MAIN
- G OIL FILTER BYPASS
- H LIFTING EYE
- I WATER DRAIN, FRESH WATER
- J WATER DRAIN, SEA WATER
- K AIR FILTER
- L FUEL FILTER
- M HOT WATER OUTLET n 16
- N HOT WATER INLET n 16
- O ELECTRICAL FUSES ONLY 24V
- P SEA WATER INLET n 50
- R CENTRE OF GRAVITY
- S WATER INLET
- U FUEL INLET CONNECTION
- V FUEL RETURN TO TANK
- X ENGINE STOP
- Y CRANK CASE VENTILATION
- Z EXHAUST RISER n 127 (5") (OPTION)
- AA SEA WATER PUMP
- AB EXHAUST ELBOW n 127 (5")
- AC EXTRA ALTERNATOR
- AD DIAGNOSE CONNECTOR
- AE ELASTIC SUSPENSION (2x)
- AF DATALINK, SENDER AND AUX (2x)



SCALE 1:5  
 VOLVO PENTA  
 ENGINE DIMENSIONS  
 P16-01  
 DIMENSION DRAWING  
 219124.18  
 01